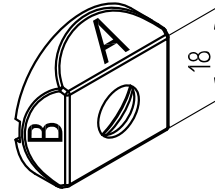
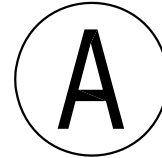
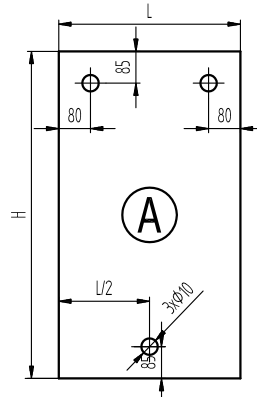
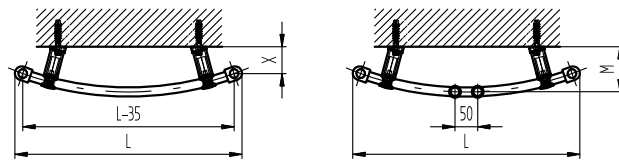
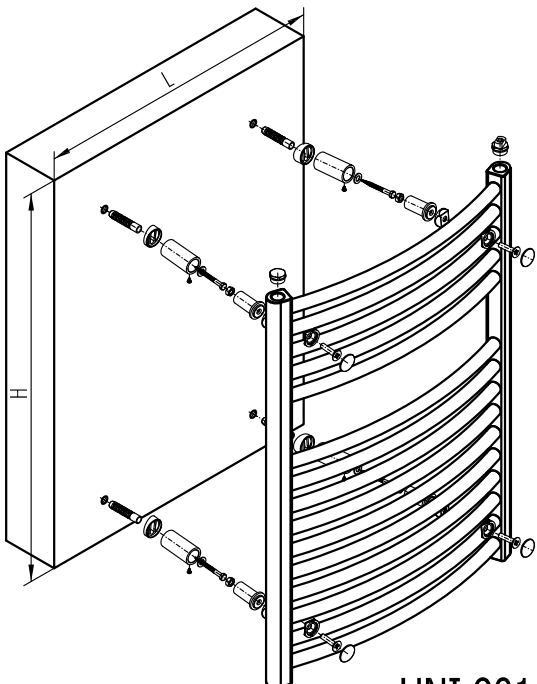
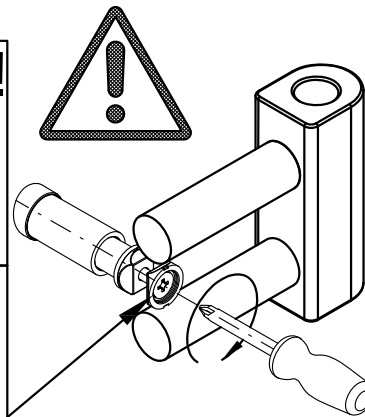
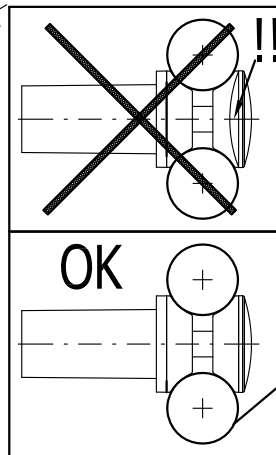


CLASSIC GERADE



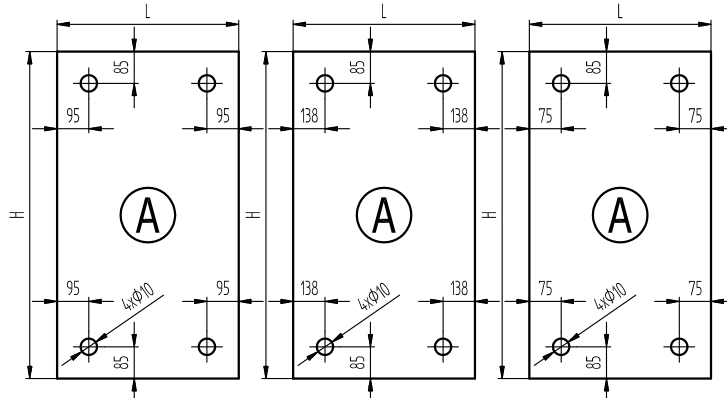
H	L	X	M
850	450	66-76	98-108
850	500	59-69	99-109
850	600	41-51	101-111
850	750	67-77	116-126
850	900	62-72	130-140
1210	450	66-76	98-108
1210	500	59-69	99-109
1210	600	41-51	101-111
1210	750	67-77	116-126
1210	900	62-72	130-140
1530	450	66-76	98-108
1530	500	59-69	99-109
1530	600	41-51	101-111
1530	750	67-77	116-126
1530	900	62-72	130-140
1770	450	66-76	98-108
1770	500	59-69	99-109
1770	600	41-51	101-111
1770	750	67-77	116-126
1770	900	62-72	130-140



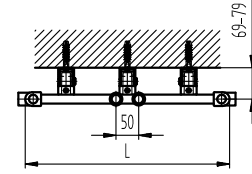
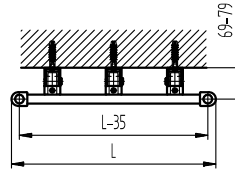
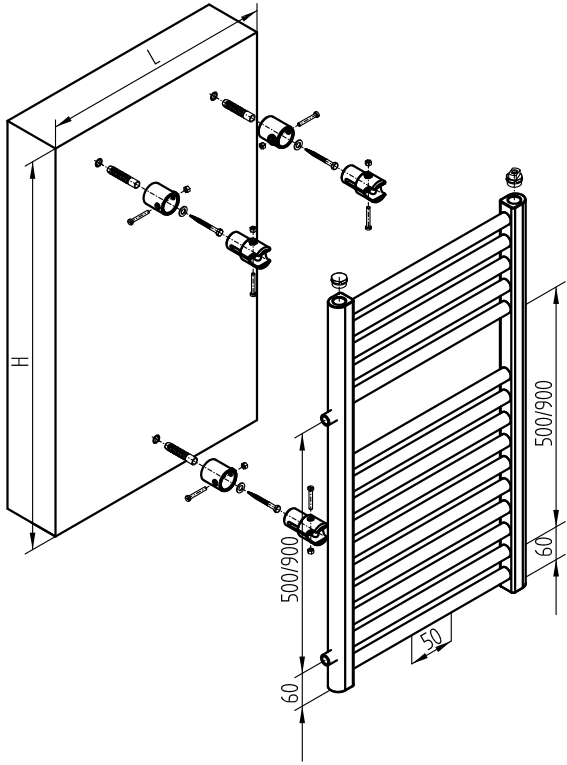
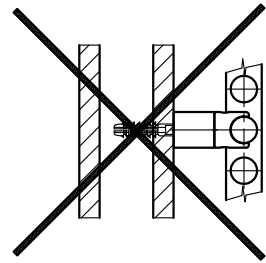
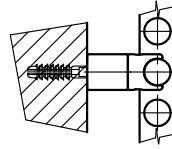
CLASSIC GEBOGEN 500  
CLASSIC GEBOGEN 900

CLASSIC GEBOGEN 600

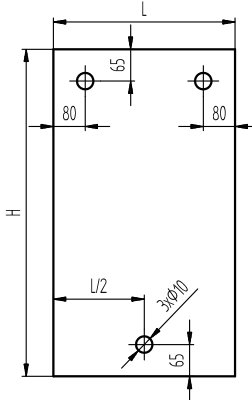
CLASSIC GEBOGEN 450  
CLASSIC GEBOGEN 750



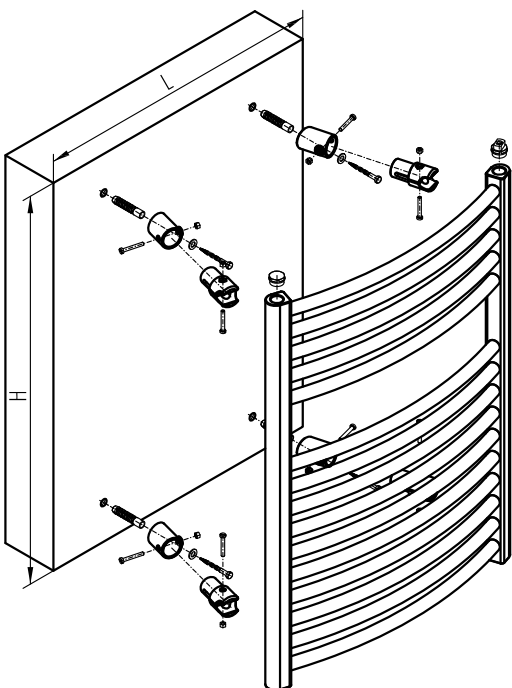
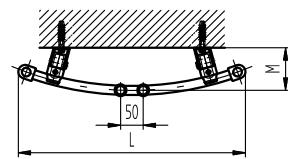
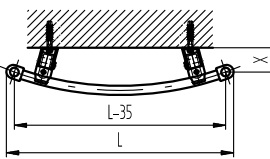
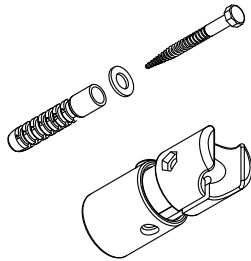
UNI 9016



CLASSIC GERADE



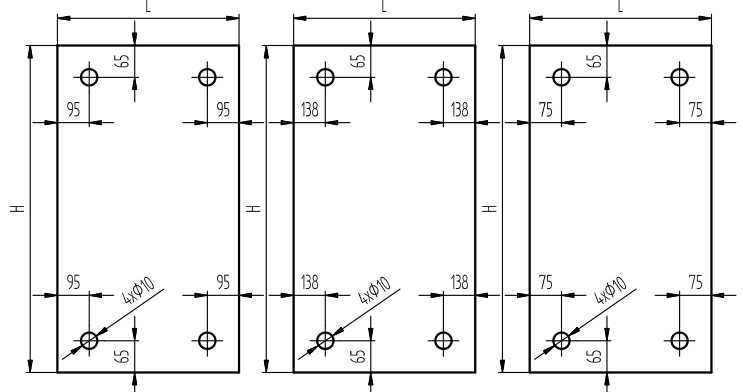
H	L	X	M
850	450	61-71	92-102
850	500	53-63	93-103
850	600	32-42	92-102
850	750	62-72	111-121
850	900	56-66	124-134
1210	450	61-71	92-102
1210	500	53-63	93-103
1210	600	32-42	92-102
1210	750	62-72	111-121
1210	900	56-66	124-134
1530	450	61-71	92-102
1530	500	53-63	93-103
1530	600	32-42	92-102
1530	750	62-72	111-121
1530	900	56-66	124-134
1770	450	61-71	92-102
1770	500	53-63	93-103
1770	600	32-42	92-102
1770	750	62-72	111-121
1770	900	56-66	124-134



CLASSIC GEBOGEN 500  
CLASSIC GEBOGEN 900

CLASSIC GEBOGEN 600

CLASSIC GEBOGEN 450  
CLASSIC GEBOGEN 750



CLA12045WE50N  
CLA12050WE50N  
CLA12060WE50N  
CLA12075WE50N  
CLA12090WE50N  
CLA15045WE50N  
CLA15050WE50N  
CLA15060WE50N  
CLA15075WE50N  
CLA15090WE50N  
CLA18045WE50N  
CLA18050WE50N  
CLA18060WE50N  
CLA18075WE50N  
CLA18090WE50N  
CLA8545WE50N  
CLA8550WE50N  
CLA8560WE50N  
CLA8575WE50N  
CLA8590WE50N  
CLA12045WEN  
CLA12050WEN  
CLA12060WEN  
CLA12075WEN  
CLA12090WEN  
CLA15045WEN  
CLA15050WEN  
CLA15060WEN  
CLA15075WEN  
CLA15090WEN  
CLA18045WEN  
CLA18050WEN  
CLA18060WEN  
CLA18075WEN  
CLA18090WEN  
CLA8545WEN  
CLA8550WEN  
CLA8560WEN  
CLA8575WEN  
CLA8590WEN  
CLL12045WE50N  
CLL12050WE50N  
CLL12060WE50N  
CLL12075WE50N  
CLL12090WE50N  
CLL15045WE50N  
CLL15050WE50N  
CLL15060WE50N  
CLL15075WE50N  
CLL15090WE50N  
CLL18045WE50N  
CLL18050WE50N  
CLL18060WE50N  
CLL18075WE50N  
CLL18090WE50N  
CLL8545WE50N  
CLL8550WE50N  
CLL8560WE50N  
CLL8575WE50N  
CLL8590WE50N  
CLL12045WEN  
CLL12050WEN  
CLL12060WEN  
CLL12075WEN  
CLL12090WEN  
CLL15045WEN  
CLL15050WEN  
CLL15060WEN

CLL15075WEN  
CLL15090WEN  
CLL18050WEN  
CLL18060WEN  
CLL18075WEN  
CLL18090WEN  
CLL18045WEN  
CLL8545WEN  
CLL8550WEN  
CLL8560WEN  
CLL8575WEN  
CLL8590WEN  
CLAAT120455WE  
CLAAT120505WE  
CLAAT120605WE  
CLAAT120755WE  
CLAAT120905WE  
CLAAT150455WE  
CLAAT150505WE  
CLAAT150605WE  
CLAAT150755WE  
CLAAT150905WE  
CLAAT180455WE  
CLAAT180505WE  
CLAAT180605WE  
CLAAT180755WE  
CLAAT180905WE  
CLAAT85455WE  
CLAAT85505WE  
CLAAT85605WE  
CLAAT85755WE  
CLAAT85905WE  
CLAAT120459WE  
CLAAT120509WE  
CLAAT120609WE  
CLAAT120759WE  
CLAAT120909WE  
CLAAT150459WE  
CLAAT150509WE  
CLAAT150609WE  
CLAAT150759WE  
CLAAT150909WE  
CLAAT180459WE  
CLAAT180509WE  
CLAAT180609WE  
CLAAT180759WE  
CLAAT180909WE  
CLAE12045WE  
CLAE12050WE  
CLAE12060WE  
CLAE12075WE  
CLAE12090WE  
CLAE15045WE  
CLAE15050WE  
CLAE15060WE  
CLAE15075WE  
CLAE15090WE  
CLAE18045WE  
CLAE18050WE  
CLAE18060WE  
CLAE18075WE  
CLAE18090WE  
CLAE8545WE  
CLAE8550WE  
CLAE8560WE  
CLAE8575WE  
CLAE8590WE